



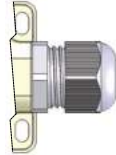
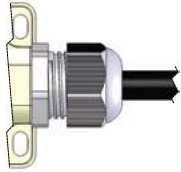

JAN (M8) Junction Blocks

8 Port, 3 Pin JAN Junction blocks

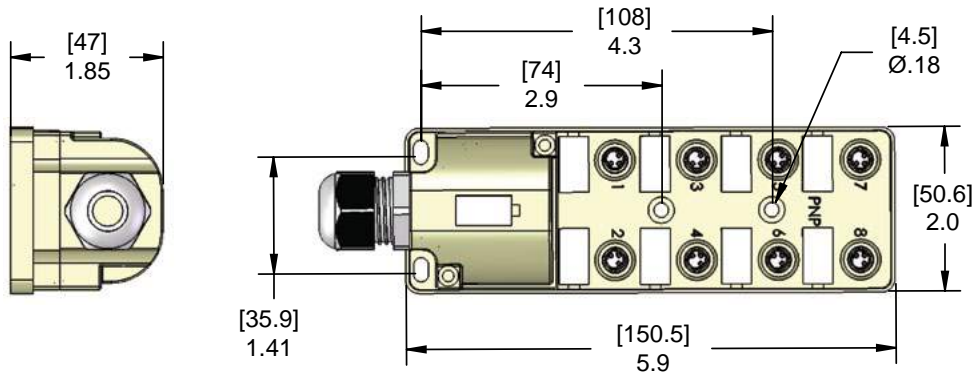


Field Wireable | Cable | MIN Receptacle | MIN Receptacle | IP67 Rating



Trunk Style	Trunk Connection	Part Number		
		No LED	PNP	NPN
	Field Wireable 24 AWG - 16 AWG	JAN-830-010-F000	JAN-83P-210-F000	JAN-83N-210-F000
	Black PVC AWM 2661 2 x 18 AWG 8 x 22 AWG 7.1mm OD	JAN-830-010-C**	JAN-83P-210-C**	JAN-83N-210-C**
	MIN Size III 10 Pole Male Receptacles	JAN-830-010-M000	JAN-83P-210-M000	JAN-83N-210-M000

** Lengths in meters. Standard Cable lengths are 2m, 5m and 10m. Consult factory for other lengths.



JAN Junction Blocks

S

Specifications:

Ratings:	3 A per Connector 8 A per Block	Inserts:	Polyamide
Voltage:	Without LEDs: 0-150 Volt Max With LEDs: 48 VDC Max in accordance with LED Configuration	Port Coupling Nuts:	PBT
Body:	Polypropylene	O-Ring:	BUNA-N
		LED Lens:	Polycarbonate
		Contacts:	Copper Alloy with Gold Plating
		Marker Tags:	Polyamide (supplied on all units)

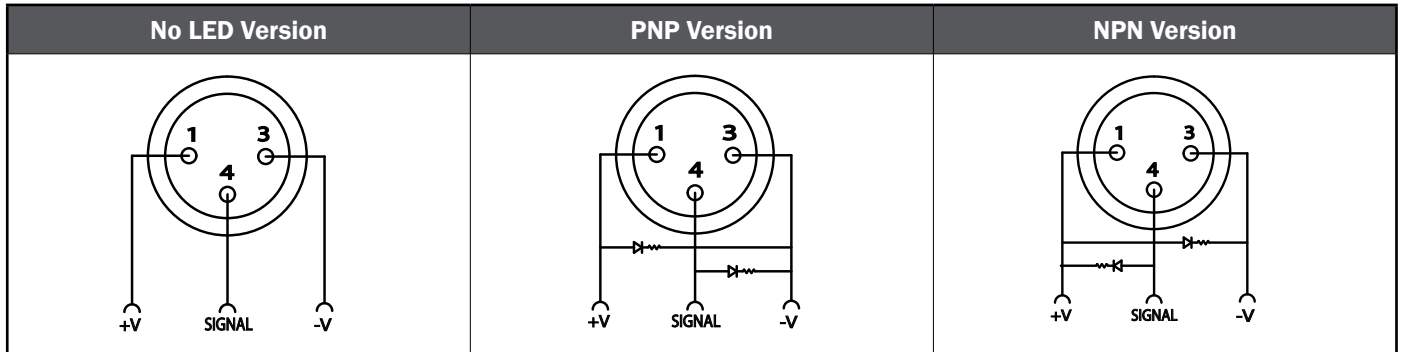


JAN (M8) Junction Blocks

8 Port, 3 Pin JAN Junction blocks



Field Wireable | Cable | MIN Receptacle | MIN Receptacle | IP67 Rating



Function	MIN-10MR Receptacle Version	Cable Version
	<p>1.125"-16UN2</p>	Cable O.D. 9.5 mm
+ V	PIN #10	Brown
- V	PIN #8	Blue
PORT 1 PIN 4 (L4)	PIN #7	White
PORT 2 PIN 4 (L4)	PIN #6	Green
PORT 3 PIN 4 (L4)	PIN #5	Yellow
PORT 4 PIN 4 (L4)	PIN #4	Gray
PORT 5 PIN 4 (L4)	PIN #3	Pink
PORT 6 PIN 4 (L4)	PIN #2	Red
PORT 7 PIN 4 (L4)	PIN #1	Black
PORT 8 PIN 4 (L4)	PIN #9	Violet
Mating Plug	MIN-8FPX-*	

* Length in feet. Standard Cable lengths are 3, 6, 12, 20, 30 & 50 feet. Consult factory for other lengths.

** Lengths in meters. Standard Cable lengths are 1, 2, 4, 5, 6, 10 & 15 meters. Consult factory for other lengths.